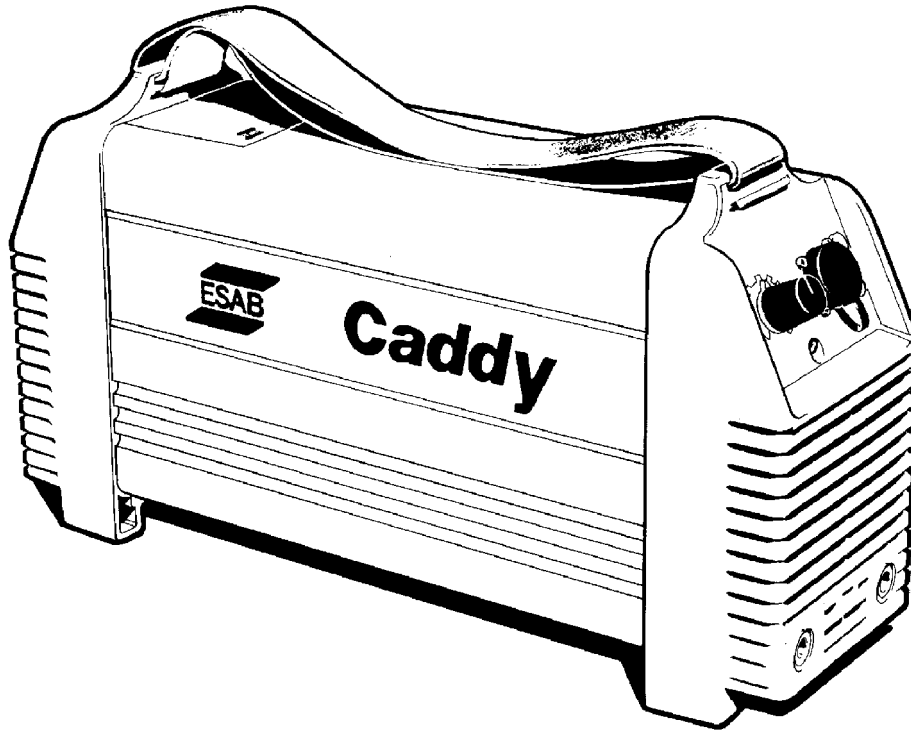


Spare parts list



Valid for serial no. 301-xxx-xxx, 508-xxx-xxxx, 540-xxx-xxxx, 628-xxx-xxxx, 011-xxx-xxxx, 220-xxx-xxxx

Ordering number

0468 020 880 LHN 140

0468 220 880 LHN 200

Spare parts are to be ordered through the nearest ESAB agency. Kindly indicate type of unit, serial number, denominations and ordering numbers according to the spare parts list.

Maintenance and repair work should be performed by an experienced person, and electrical work only by a trained electrician. Use only recommended spare parts.

Rights reserved to alter specifications without notice.

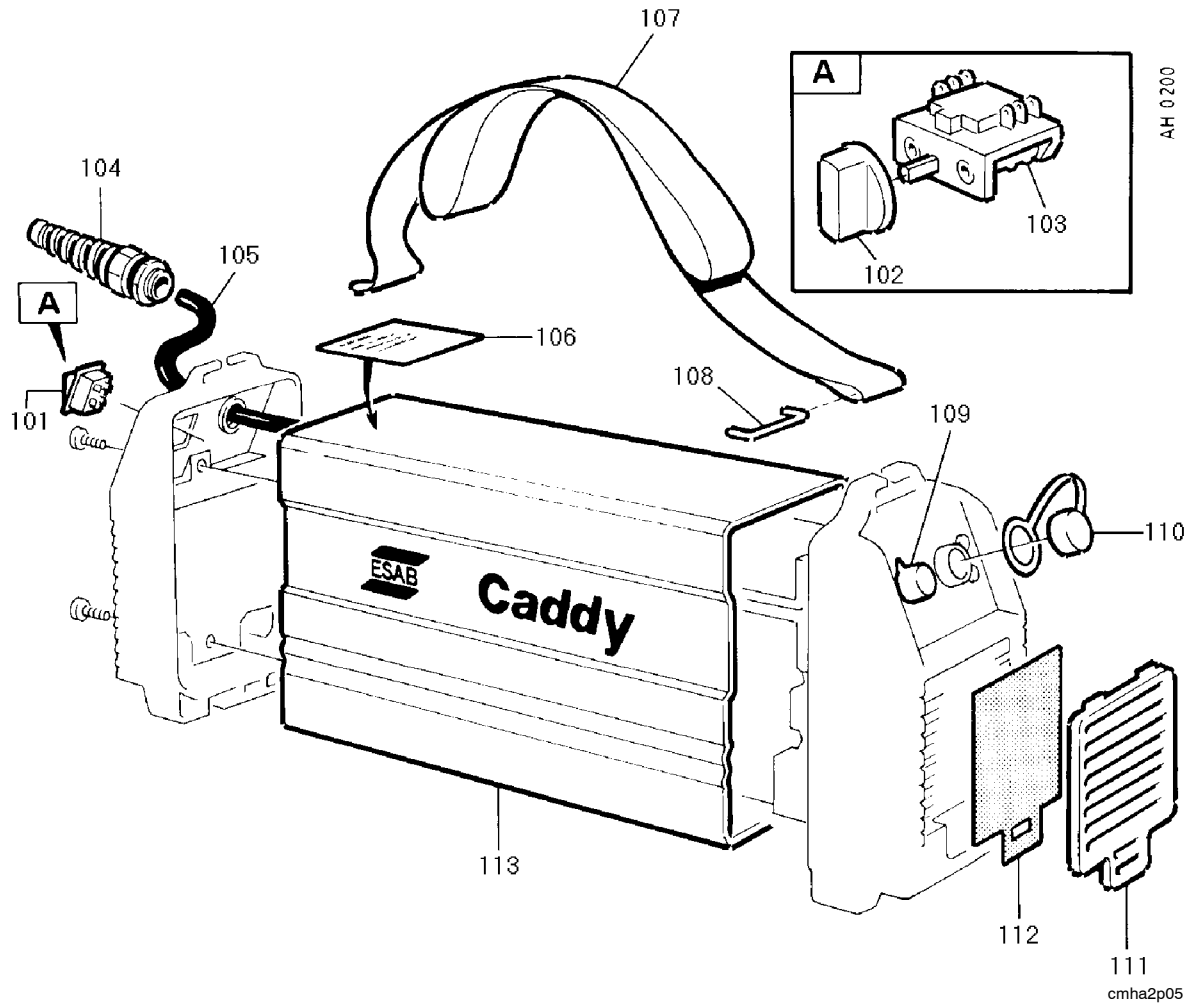
LHN 140, LHN 200

140 = LHN 140

200 = LHN 200

C = component designation in the circuit diagram

Item	Qty 140	Qty 200	Ordering no.	Denomination	Notes	C
101	1	-	0193 317 001	Switch	2-pole	QF1
102	-	1	0366 296 003	Knob		
103	-	1	0366 295 002	Switch	3-pole	QF1
104a	1	1	0193 307 103	Cable bushing	Before serial no. 540-xxx-xxxx	
104b	1	1	0193 307 104	Cable bushing	From serial no. 540-xxx-xxxx	
			0212 602 208	Nut	For cable bushing	
105a	1	-	0468 218 001	Mains cable	2 x 1,5 mm ² . with plug Before serial no. 540-xxx-xxxx	
	-	1	0366 514 001	Mains cable	4 x 1,5 mm ² Before serial no. 540-xxx-xxxx	
105b	1	-	0456 192 880	Mains cable	3 x 1,5 mm ² . with plug From serial no. 540-xxx-xxxx Item 104b is included	
	-	1	0366 514 001	Mains cable	4 x 1,5 mm ² From serial no. 540-xxx-xxxx	
106				Rating plate		
107	1	1	0468 208 001	Strap		
108	1	1	0468 497 001	Shackle		
109	1	1	0321 475 881	Knob		
110	1	1	0366 285 001	Cap		
111	2	2	0467 796 001	Grille	With text	
112	1	1	0468 462 001	Filter		
113	1	1	0468 214 880	Case		
-	1	-	0369 857 885	Welding cable	Complete	
-	1	-	0369 857 884	Return cable	Complete	
-	-	1	0369 857 882	Welding cable	Complete	
-	-	1	0369 857 883	Return cable	Complete	



LHN 140, LHN 200

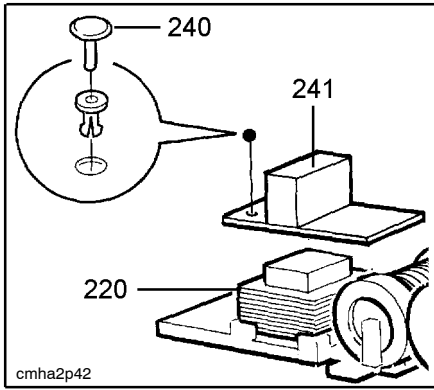
140 = LHN 140

200 = LHN 200

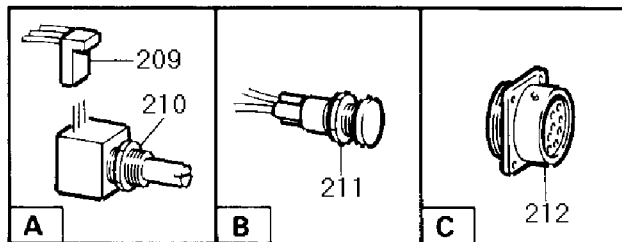
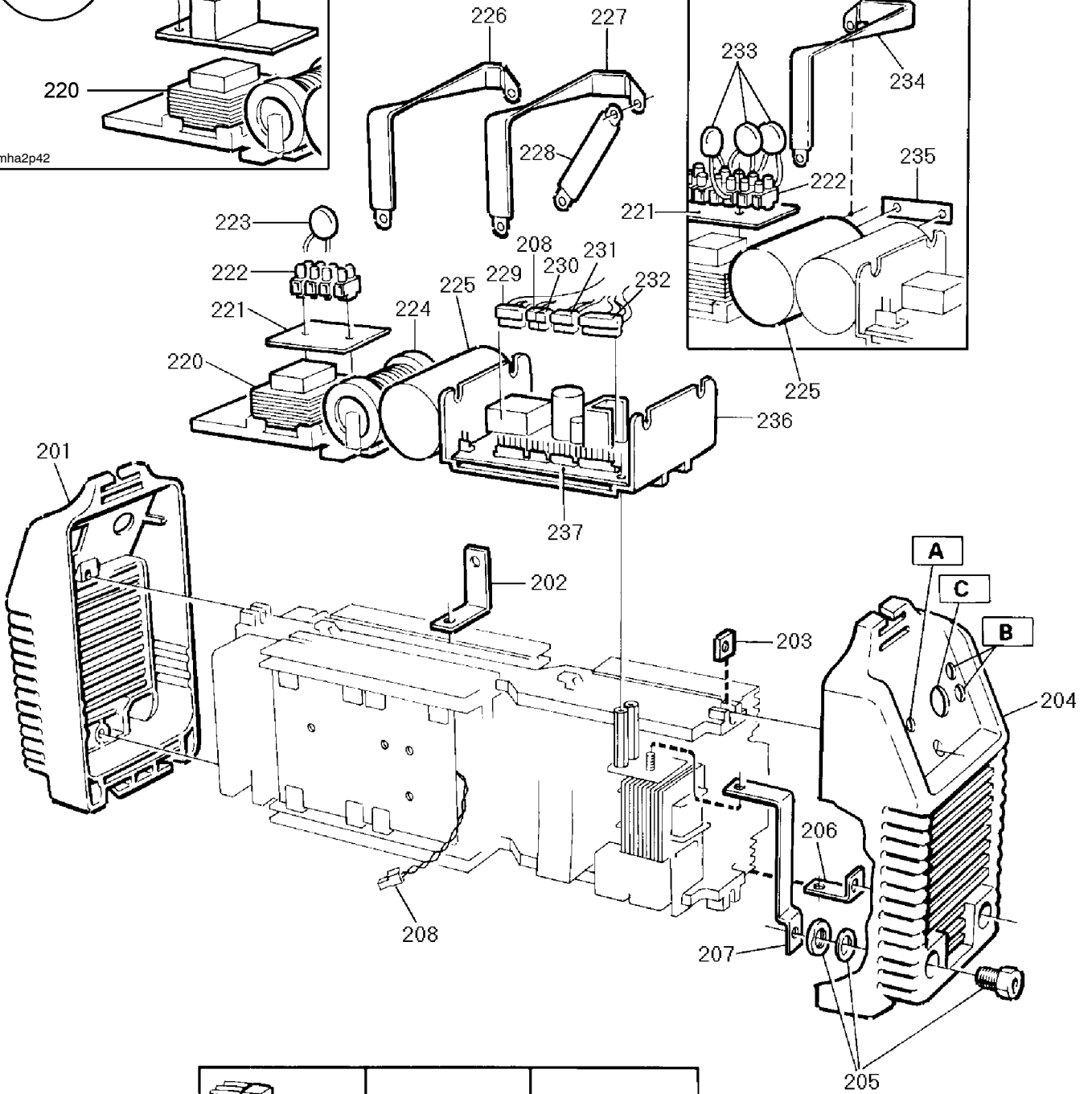
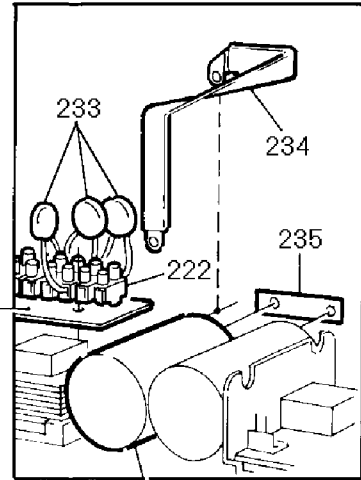
C = component designation in the circuit diagram

Item	Qty 140	Qty 200	Ordering no.	Denomination	Notes	C
201	1	-	0467 795 002	End cover	With text	
	-	1	0468 461 001	End cover	With text	
202	1	1		Busbar	Included in item 350 and 550	
203	4	4	0366 588 001	Nut		
204	1	-	0468 018 001	Front panel	With text	
	-	1	0468 019 001	Front panel	With text	
205	2	2	0366 306 881	Welding current connector	OKC	XS12
206	1	1	0468 024 001	Busbar		
207	1	1	0468 212 001	Busbar		
208	5	5	0193 260 001	Connector	2-pole for 0.35mm ² conductor	XS02, XS04,
	5	5	0193 260 180	Cap	For 2-pole connector	XS05, XS06, XS07
209	1	1	0193 260 062	Connector		XS09
210	1	1	0191 870 616	Potentiometer	10 kΩ 2 W	RP01
211	1	1	0193 759 001	Indicating lamp	28 V, white	HL01
	1	1	0193 759 002	Light-emitting diode	Yellow	V05
212	1	1	0368 544 003	Connector, socket	12-pole	XS11
220	1	-	0468 028 001	Control current transformer		TC01
	-	1	0468 029 001	Control current transformer		TC01
221	1	-	0468 882 001	Plate	Before serial no. 540-xxx-xxxx	
	-	1	0468 882 002	Plate	Before serial no. 540-xxx-xxxx	
222	1	1	0193 045 011	Terminal block	12-pole (split 4/8-pole) Before serial no. 540-xxx-xxxx	X01
223	1	-	0192 149 126	Varistor	275 V Before serial no. 540-xxx-xxxx	RV01
224	1	-	0467 809 880	Primary inductor		L03
	2	-	0040 953 611	Cable strip	Heat resistant	
225	1	2	0192 903 506	Capacitor	1000 μF	C02, C03
226	1	-		Busbar	Included in item 350 and 550	
227	1	1		Busbar	Included in item 350 and 550	
228	1	1		Busbar	Included in item 350 and 550	
229	1	1	0193 260 154	Connector	6-pole for 0.75mm ² conductor	XS01
	1	1	0193 260 184	Cap	For 6-pole connector	
230	1	1	0193 260 150	Connector	2-pole for 0.75mm ² conductor	XS02
	1	1	0193 260 180	Cap	For 2-pole connector	
231	1	1	0193 260 153	Connector	5-pole for 0.75mm ² conductor	XS10
	1	1	0193 260 183	Cap	For 5-pole connector	
232	1	1	0193 260 006	Connector	7-pole for 0.35mm ² conductor	XS03
	1	1	0193 260 185	Cap	For 7-pole connector	
233	-	3	0192 149 119	Varistor	480 V Before serial no. 540-xxx-xxxx	RV01, RV02, RV03
234	-	1		Busbar	Included in item 350 and 550	
235	-	1		Link	Included in item 350 and 550	
236	1	1	0467 802 001	Guide		
237	1	1	0486 886 880	Circuit board	(Replacing 0481 870 880 and 0481 870 885)	AP01
240	1	1	0455 661 028	Rivet	From serial no. 540-xxx-xxxx	
241	1	-	0486 328 882	Circuit board (EMC)	From serial no. 540-xxx-xxxx	AP05
	-	1	0486 328 880	Circuit board (EMC)	From serial no. 540-xxx-xxxx	AP05

LHN 140, LHN 200



cmha2p42



AH 0201

cmha2p06

LHN 140, LHN 200

Valid before serial no. 628-xxx-xxxx

140 = LHN 140

200 = LHN 200

C = component designation in the circuit diagram

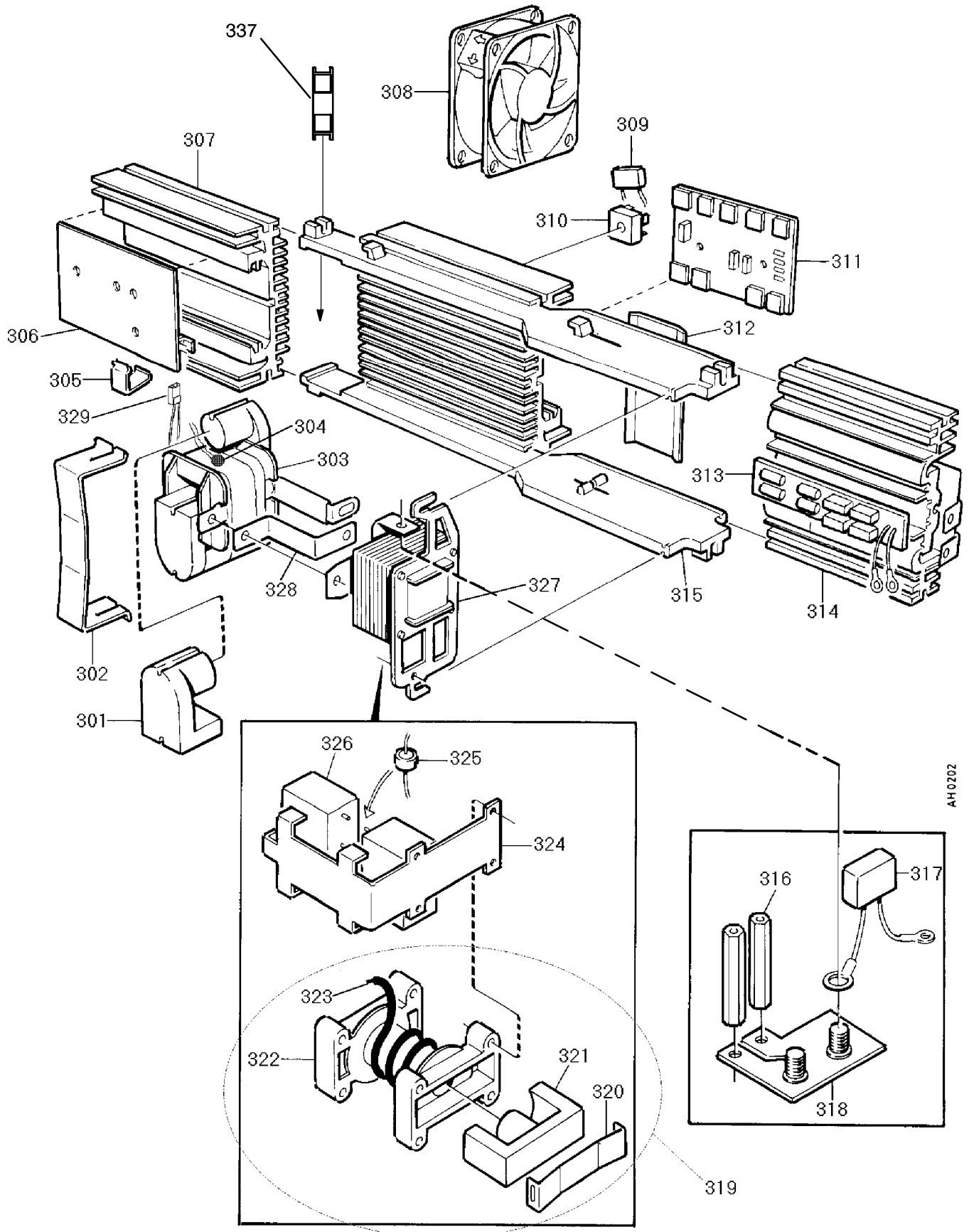
Item	Qty 140	Qty 200	Ordering no.	Denomination	Notes	C
301	4	4	0193 312 101 0365 652 002 0191 124 021	Ferrite core Tape Glue	For air gap For ferrite core	
302	1	1	0467 799 001	Clip		
303	1	-	0467 792 880	Transformer coil	Includes item 304	TC02
	-	1	0467 806 880	Transformer coil	Includes item 304	TC02
304	1	-		Thermal cutout	Opens at 130 °C, closes at 100 °C Included in item 303	ST01
	-	1		Thermal cutout	Opens at 150 °C, closes at 130 °C Included in item 303	ST01
305	15	19		Spring	Included in items 352 and 353	
306	1	-		Circuit board	Transistor board, negative pole Included in item 352	AP03
	-	1		Circuit board	Transistor board, negative pole Included in item 353	AP03
307	2	2	0467 793 180	Heat sink		
308	1	1	0467 801 001	Fan	24 VDC	EV01
309	1	1	0192 883 150	Capacitor	0.1 µF 1000 VDC	C01
310	1	2	0193 316 208	Rectifier bridge		V01, V02
311	1	-		Circuit board	Transistor board, positive pole Included in item 352	AP02
	-	1		Circuit board	Transistor board, positive pole Included in item 353	AP02
312	1	1	0467 800 001	Insulation		
313	1	-	0481 840 882	Circuit board	Before serial number 628-xxx-xxxx	AP04
	-	1	0481 840 880	Circuit board	Before serial number 628-xxx-xxxx	AP04
314	1	-		Rectifier unit	Replaced by item 514	V03, V04
	-	1		Rectifier unit	Replaced by item 514	V03, V04
315	2	2	0467 797 001	Guide		
316	2	2	0212 913 108	Spacer	M8	
317	1	1	0192 883 150	Capacitor	0.1 µF 1000 VDC	C04
318	1	-	0468 961 880	Shunt	120 mV @ 140 A	RS01
	-	1	0468 030 880	Shunt	120 mV @ 200 A	RS01
319	1	1	0468 215 880	Inductor	Complete	L02
320	2	2		Clip	Included in item 319	
321	2	2		Core	Included in item 319	
322	1	1		Bobbin	Included in item 319	
323	1	1		Winding	Included in item 319	
324	1	1	0468 496 001	Holder		
325	1	1	0192 716 004	Diode		V06
326	2	2	0193 529 017	Capacitor	4,7 µF	C05
327	1	1	0468 016 880	Inductor	Secondary	L01
328	1	1	0468 211 001	Busbar		
329	1	1	0193 669 002 0193 590 302 0466 602 001	Connector Sleeve Conductor	2-pole 2 per connector To be ordered per m. 0.6m/transform.	XS08 020
337	1	1	0457 949 001	Bracket		

SPARE PARTS SETS

Item	Ordering no.	Denomination	Notes
350	0468 881 880	Busbars, primary	Contains items 202, 226, 227, 228, 234 and 235
352	0468 881 882	Transistor boards LHN 140	Contains items 306, 311 and 15 springs (item 305)
353	0468 881 883	Transistor boards LHN 200	Contains items 306, 311 and 19 springs (item 305)
354	0192 058 106	Contact oil	To be used when mounting items 352 and 353

LHN 140, LHN 200

Valid before serial no. 628-xxx-xxxx



LHN 140, LHN 200

Valid for serial no. 628-xxx-xxxx

140 = LHN 140

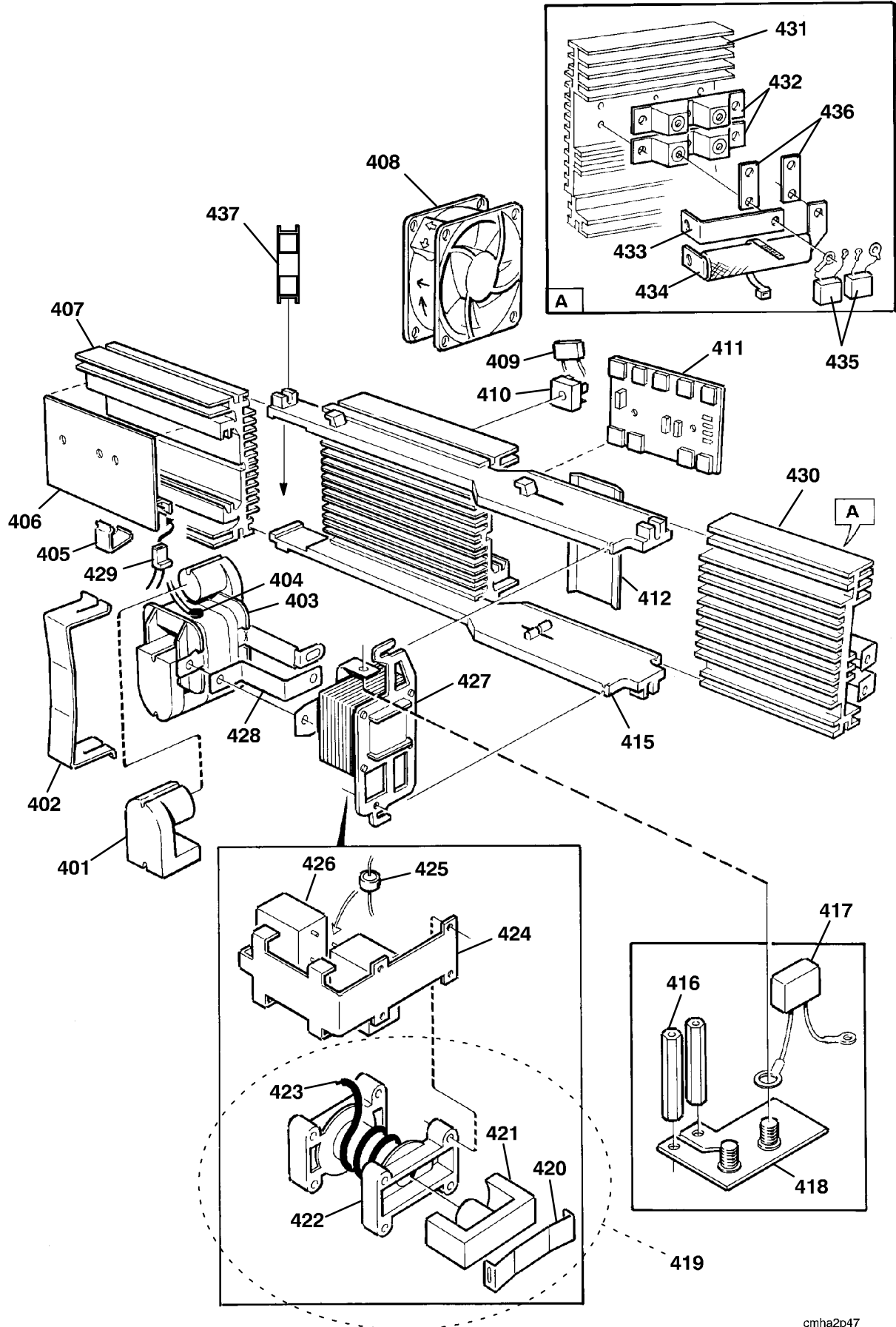
200 = LHN 200

C = component designation in the circuit diagram

Item	Qty 140	Qty 200	Ordering no.	Denomination	Notes	C
401	4	4	0193 312 101 0365 652 002 0191 124 021	Ferrite core Tape Glue	For air gap For ferrite core	
402	1	1	0467 799 001	Clip		
403	1	-	0467 792 880	Transformer coil	Includes item 404	TC02
	-	1	0467 806 880	Transformer coil	Includes item 404	TC02
404	1	-		Thermal cutout	Opens at 130 °C, closes at 100 °C Included in item 403	ST01
	-	1		Thermal cutout	Opens at 150 °C, closes at 130 °C Included in item 403	ST01
405	15	19		Spring	Included in items 352 and 353	
406	1	-		Circuit board	Transistor board, negative pole Included in item 352	AP03
	-	1		Circuit board	Transistor board, negative pole Included in item 353	AP03
407	2	2	0467 793 180	Heat sink		
408	1	1	0467 801 001	Fan	24 VDC	EV01
409	1	1	0192 883 150	Capacitor	0.1 µF 1000 VDC	C01
410	1	2	0193 316 208	Rectifier bridge		V01, V02
411	1	-		Circuit board	Transistor board, positive pole Included in item 352	AP02
	-	1		Circuit board	Transistor board, positive pole Included in item 353	AP02
412	1	1	0467 800 001	Insulation		
415	2	2	0467 797 001	Guide		
416	2	2	0212 913 108	Spacer	M8	
417	1	1	0192 883 150	Capacitor	0.1 µF 1000 VDC	C04
418	1	-	0468 961 880	Shunt	120 mV @ 140 A	RS01
	-	1	0468 030 880	Shunt	120 mV @ 200 A	RS01
419	1	1	0468 215 880	Inductor	Complete	L02
420	2	2		Clip	Included in item 419	
421	2	2		Core	Included in item 419	
422	1	1		Bobbin	Included in item 419	
423	1	1		Winding	Included in item 419	
424	1	1	0468 496 001	Holder		
425	1	1	0192 716 004	Diode		V06
426	2	2	0193 529 017	Capacitor	4,7 µF	C05
427	1	1	0468 016 880	Inductor	Secondary	L01
428	1	1	0468 211 001	Busbar		
429	1	1	0193 669 002 0193 590 302 0466 602 001	Connector Sleeve Conductor	2-pole 2 per connector To be ordered per m. 0.6m/transform.	XS08 020
430	1	-		Rectifier unit	Complete, replaced by item 514	
	-	1		Rectifier unit	Complete, replaced by item 514	
431	1	1	0457 292 001	Heat sink		
432	1	2	0193 948 001	Diode module		V03, V04
	-		0192 058 106	Contact oil	To be used when mounting item 432	
433	1	1	0455 650 002	Busbar		
434	1	1	0455 650 001	Busbar		
435	2	2	0467 648 883	Capacitor	Complete with cable lugs	C06
436	-	2		Busbar		
437	1	1	0457 949 001	Bracket		

LHN 140, LHN 200

Valid for serial no. 628-xxx-xxxx



cmha2p47

LHN 140, LHN 200

Valid for serial no. 011-xxx-xxxx and 220-xxx-xxxx

140 = LHN 140

200 = LHN 200

C = component designation in the circuit diagram

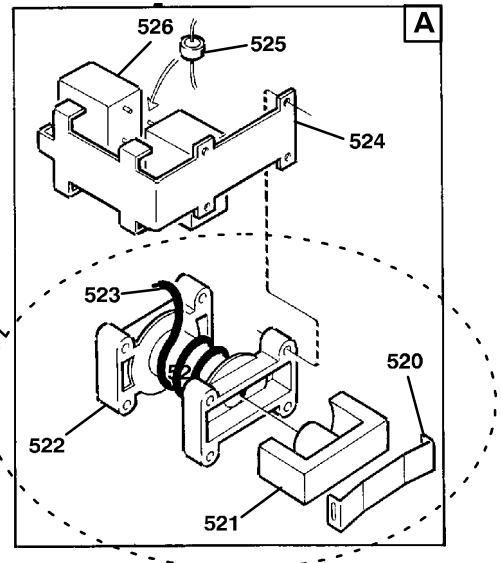
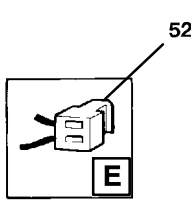
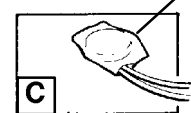
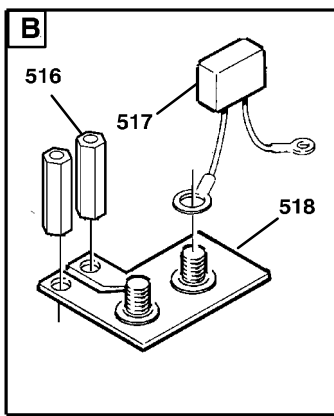
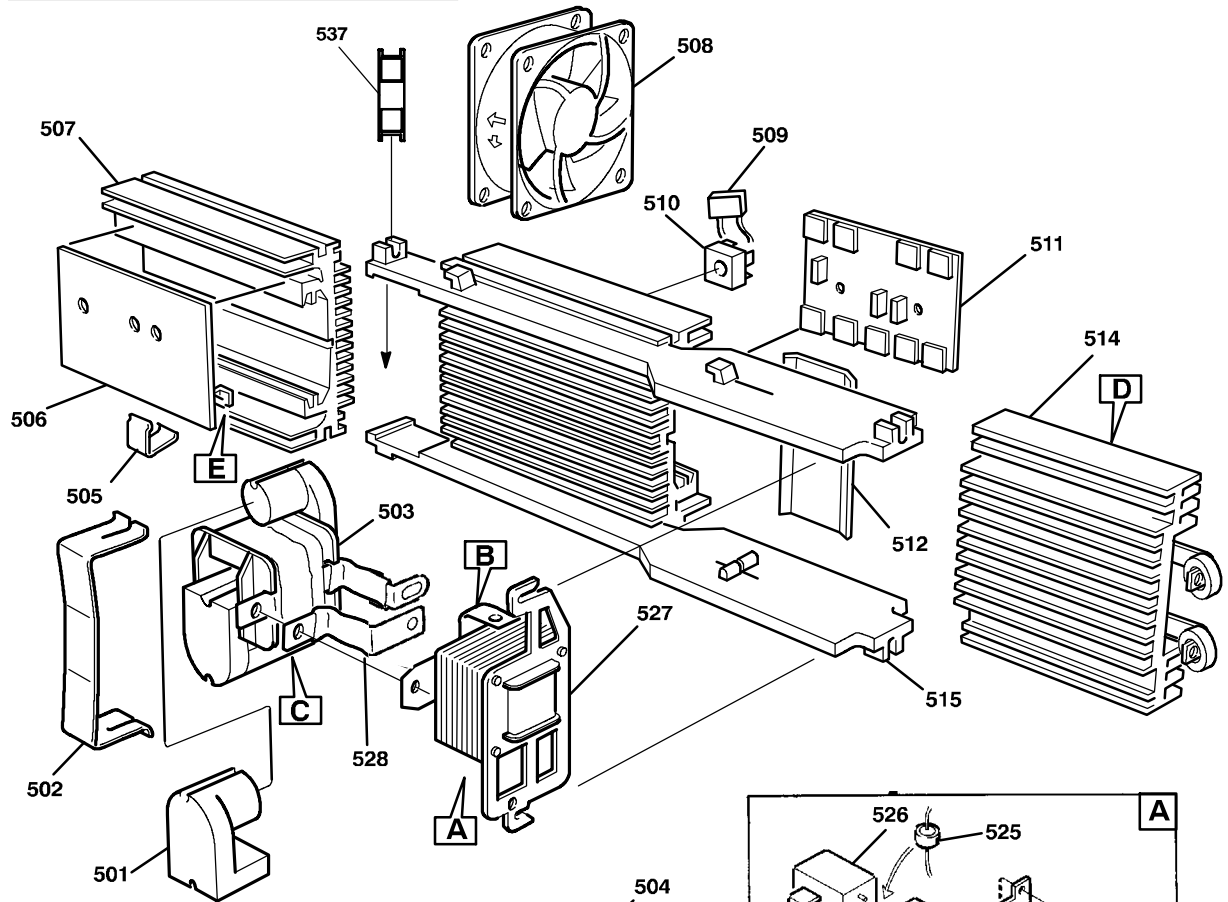
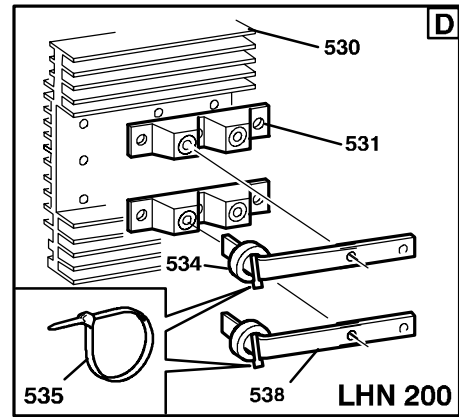
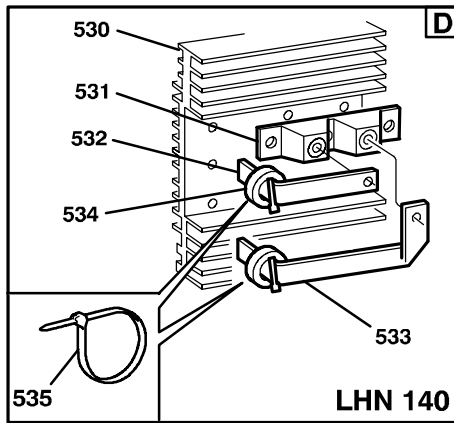
Item	Qty 140	Qty 200	Ordering no.	Denomination	Notes	C
501	4	4	0193 312 101 0365 652 002 0191 124 021	Ferrite core Tape Glue	For air gap Loctite 649, for ferrite core	
502	1	1	0467 799 001	Clip		
503	1	-	0467 792 880	Transformer coil	Includes item 504	TC02
	-	1	0467 806 880	Transformer coil	Includes item 504	TC02
	-	1	0466 602 001	Conductor	To be ordered per metre 0.6m/transformer	020
504	1	1		Thermal cutout	Opens at 130° C, closes at 100° C Included in item 503	ST01
505	15	-		Spring	Included in item 553	
	-	19		Spring	Included in item 554	
506	1	-		Circuit board	Transistor board, negative pole. See item 553.	AP03
	-	1		Circuit board	Transistor board, negative pole. See item 554.	AP03
507	2	2	0467 793 180	Heat sink		
508	1	1	0467 801 001	Fan	24 VDC	EV01
509	1	1	0192 883 150	Capacitor	0.1 µF 1000 VDC	C01
510	1	2	0193 316 208	Rectifier bridge		V01, V02
511	1	-		Circuit board	Transistor board, positive pole. See item 553.	AP02
	-	1		Circuit board	Transistor board, positive pole. See item 554.	AP02
512	1	1	0467 800 001	Insulation		
514	1	-	0455 646 880	Rectifier unit	Complete, includes items 530 - 535	
	-	1	0455 646 882	Rectifier unit	Complete, includes items 530, 531, 534, 535 and 538	
515	2	2	0467 797 001	Guide		
516	2	2	0212 913 108	Spacer	M8	
517	1	1	0192 883 150	Capacitor	0.1 µF 1000 VDC	C04
518	1	-	0468 961 880	Shunt	119 mV at 140 A	RS01
	-	1	0468 030 880	Shunt	119 mV at 200 A	RS01
519	1	1	0468 215 880	Inductor	Complete	L02
520	2	2		Clip	Included in item 514	
521	2	2		Core	Included in item 514	
522	1	1		Bobbin	Included in item 514	
523	1	1		Winding	Included in item 514	
524	1	1	0468 496 001	Holder		
525	1	1	0192 716 004	Diode		V06
526	2	2	0193 529 017	Capacitor	4.7 µF	C05
527	1	1	0468 016 880	Inductor	Secondary	L01
528	1	1	0468 211 001	Busbar		
529	1	1	0193 669 002	Connector	2-pole	XS08
			0193 590 302	Sleeve	2 per connector	
530	1	1	0457 292 001	Heat sink		
531	1	2	0193 948 001	Diode module		V03, V04
532	1	-	0455 650 002	Busbar		
533	1	-	0455 650 001	Busbar		
534	2	-	0455 569 002	Ferrite ring core		L04, L05
	-	2	0455 569 002	Ferrite ring core		L03, L05
535	2	2	0040 953 612	Cable strip	Heat resistant	
537	1	1	0457 949 001	Bracket		
538	-	2	0455 650 003	Busbar		

SPARE PARTS SETS

Item	Ordering no.	Denomination	Notes
550	0468 881 880	Busbars, primary	Contains items 202, 226, 227, 228, 234 and 235
553	0468 881 882	Transistor boards, LHN 140	Contains items 511, 506 and 15 springs (item 505)
554	0468 881 883	Transistor boards, LHN 200	Contains items 511, 506 and 19 springs (item 505)
555	0192 058 106	Contact oil	To be used when mounting items 553, 554 and 531

LHN 140, LHN 200

Valid for serial no. 011-xxx-xxxx and 220-xxx-xxxx



Accessories

	<p>Remote control MMA 1 (10 m cable) 0349 501 024 MMA and TIG: current</p>
	<p>Remote control unit AT1 0459 491 896 MMA and TIG: current</p>
	<p>Remote control unit AT1 CF 0459 491 897 MMA and TIG: rough and fine setting of current.</p>
	<p>Remote cable 12 pole - 8 pole</p> <p>5 m 0459 552 880 10 m 0459 552 881 15 m 0459 552 882 25 m 0459 552 883</p>