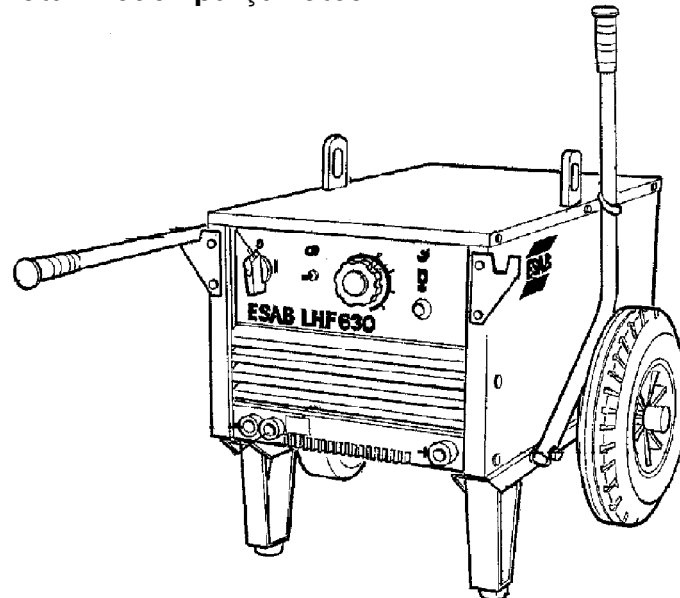


Reservdelsförteckning Reservdelsfortegnelse Reservdelislista
Varaosaluettelo Spare parts list Ersatzteilliste Liste de pièces détachées
Reserveonderdelenlijst Lista de repuestos Elenco ricambi Lista de peças
sobressalentes Replacement parts Πίνακας ανταλλακτικών μερών
Список запасных частей Seznam náhradních dílů Spis części zapasowych
Tartalékalkatrészlista Yedek parça listesi



Valid for serial no. 318, 318, 329-xxx-xxxx

Ordering number

0319 783 882	LHF 400	400/415/500V 50Hz, 440/550V 60Hz
0319 783 886	LHF 400 Offshore	400/415/500V 50Hz, 440/550V 60Hz
0319 950 882	LHF 630	400/415/500V 50Hz, 440/550V 60Hz
0319 950 886	LHF 630 Offshore	400/415/500V 50Hz, 440/550V 60Hz
0319 951 884	LHF 800 Offshore	400/415/500V 50Hz, 440/550V 60Hz

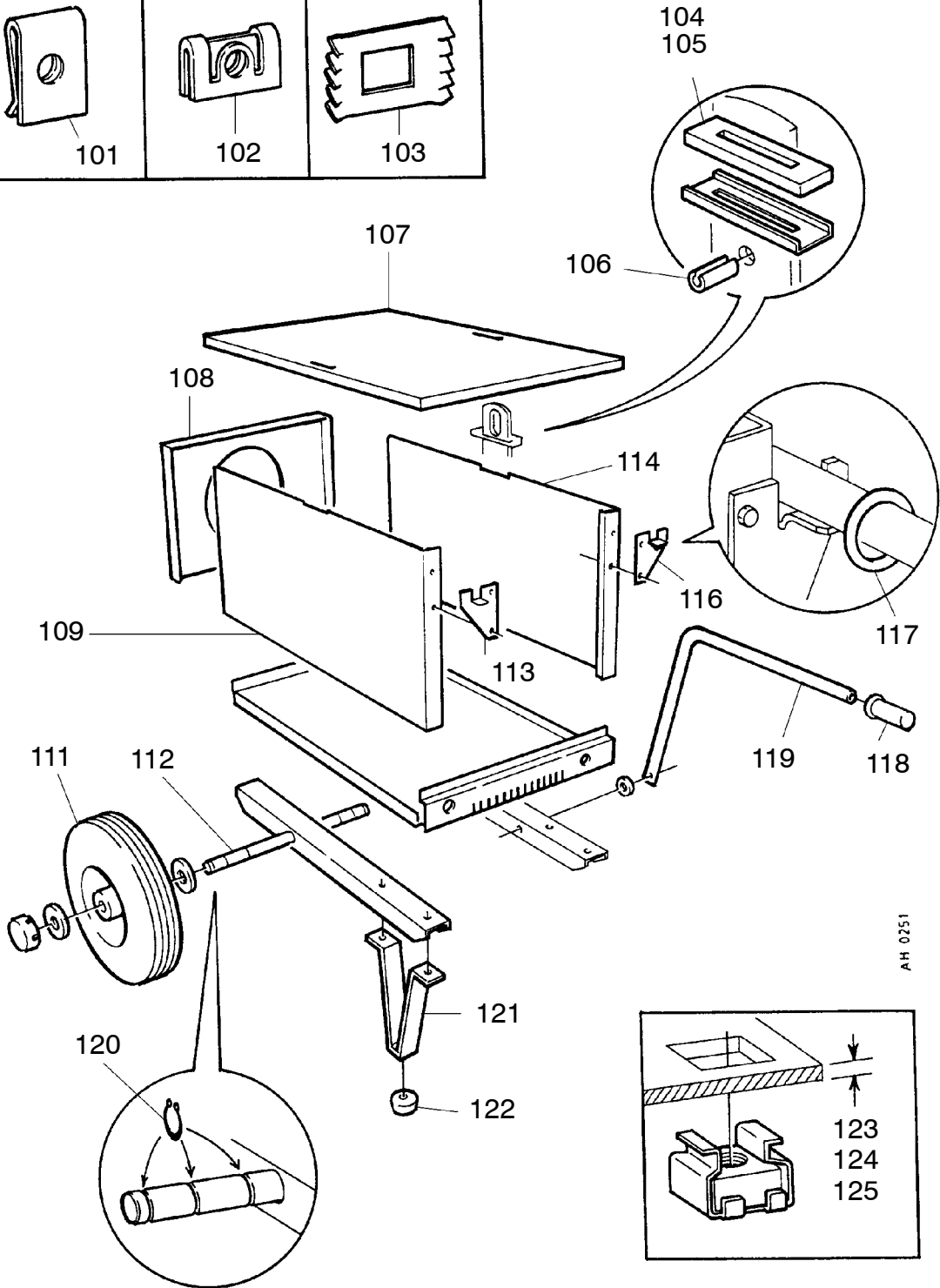
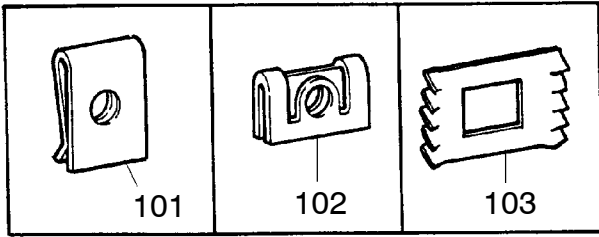
Spare parts are to be ordered through the nearest ESAB agency. Kindly indicate type of unit, serial number, denominations and ordering numbers according to the spare parts list.

Maintenance and repair work should be performed by an experienced person, and electrical work only by a trained electrician. Use only recommended spare parts.

Rights reserved to alter specifications without notice.

C = component designation in the circuit diagram

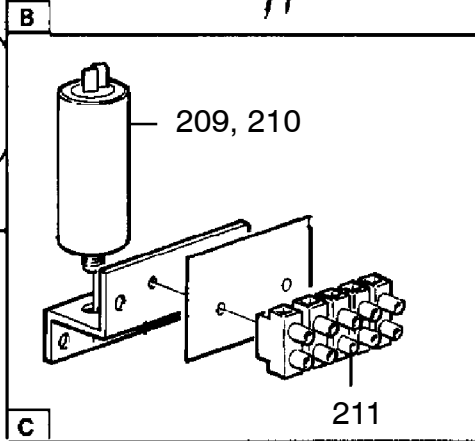
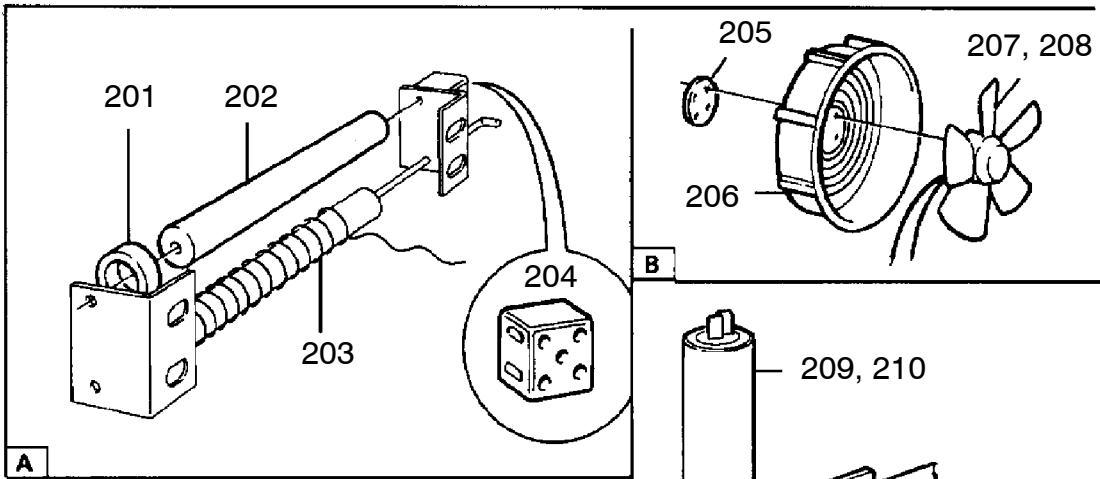
Item no.	Qty	Ordering no.	Denomination	Notes	C
101	12	0151 270 001	Quick-locking nut		
102	4	0192 547 001	Nut		
103	6	0320 029 002	Ground link		
104	2	0468 797 001	Gasket		
105	2	0468 796 001	Support plate		
106	2	02121 030 05			
107	1	0321 497 001	Top cover		
108	1	0455729 001	Side plate		
109	1	0469 937 002	Cover plate with screen		
110					
111	2	0365 038 001	Wheel		
112	1	0365 046 001	Axle		
113	1	0320 939 002	Bracket left		
114	1	0469 937 001	Cover plate with screen		
115					
116	1	0320 939 001	Bracket right		
117	2	0321 001 001	Ring		
118	2	02188 012 02	Rubber handle		
119	2	0321 000 001	Handle		
120	6	02157 010 19	Circlip		
121	2	0319 738 001	Foot		
122	2	0319 455 002	Foot		
123	8	0192 562 105	Nut	M6/t=0.7-1.6	
124	4	0192 562 106	Nut	M6/t=1.8-2.6	
125	21	0192 562 108	Nut	M8/t=1.8-2.6	



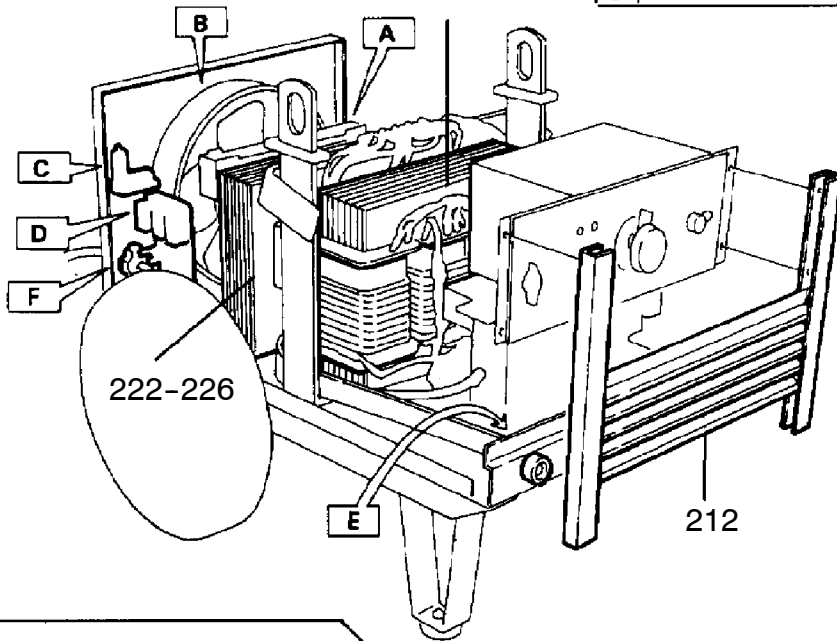
AH 0251

C = component designation in the circuit diagram

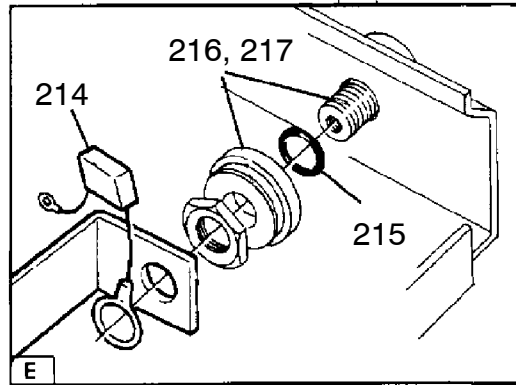
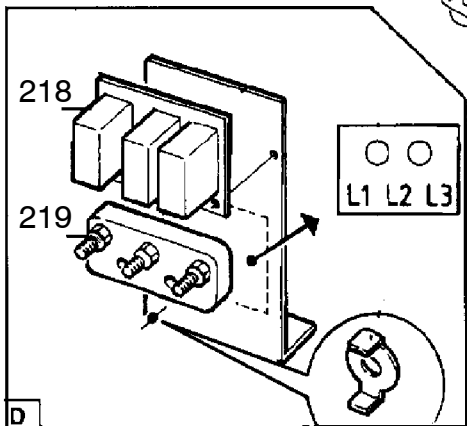
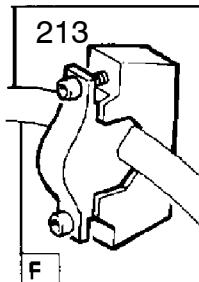
Item no.	Qty	Ordering no.	Denomination	Notes	C
201	2	0318 980 001	Insulating ring		
202	2	0317 660 001	Element rod		
203	1	0162 548 005	Resistor		K14
204	1	00407 055 01	Connection block	2 pole	
205	1	0320 178 001	Washer		
206	1	0319 838 001	Fan casing		
207	1	0162 430 001	Fan	LHF 400/800	K28
208	1	0162 430 002	Fan	LHF 800	K28
209	1	0191 085 202	Capacitor, 2uf, 400V	LHF 400/630	K47
210	1	0191 085 106	Capacitor	LHF 800	K47
211	1	0193 587 005	Connection block	5 pole	K50
212	1	0320 131 880	Front panel		
213	1	0469 950 880	Cable clamp		
214	2	0320 805 881	Capacitor		K27.3
215	2	0215 201 218	Seal o-ring, 24.2x3	LHF 400	
	3	0215 201 218	Seal o-ring, 24.2x3	LHF 630, LHF 800	
216	2	0160 362 881	Cable connector OKC 50	LHF 400	K13
	3	0160 362 881	Cable connector OKC 50	LHF 630	K13
217	3	0160 362 882	Cable connector OKC 120	LHF 800	K13
218	1	0486 216 880	Filter		K69
219	1	0162 772 001	Connection block		K11
220					
221					
222	1	0319 774 881	Inductor	LHF 400	K12
223	1	0319 774 882	Inductor	LHF 400 Offshore	K12
224	1	0319 944 880	Inductor	LHF 630	K12
225	1	0319 944 882	Inductor	LHF 630 Offshore	K12
226	1	0319 944 883	Inductor	LHF 800 Offshore	K12
227					
228					
229	1	0469 920 882	Transformer	LHF 400	K1
230	1	0469 920 883	Transformer	LHF 400 Offshore	K1
231	1	0469 923 880	Transformer	LHF 630	K1
232	1	0469 923 881	Transformer	LHF 630 Offshore	K1
233	1	0469 923 883	Transformer	LHF 800 Offshore	K1



229-233

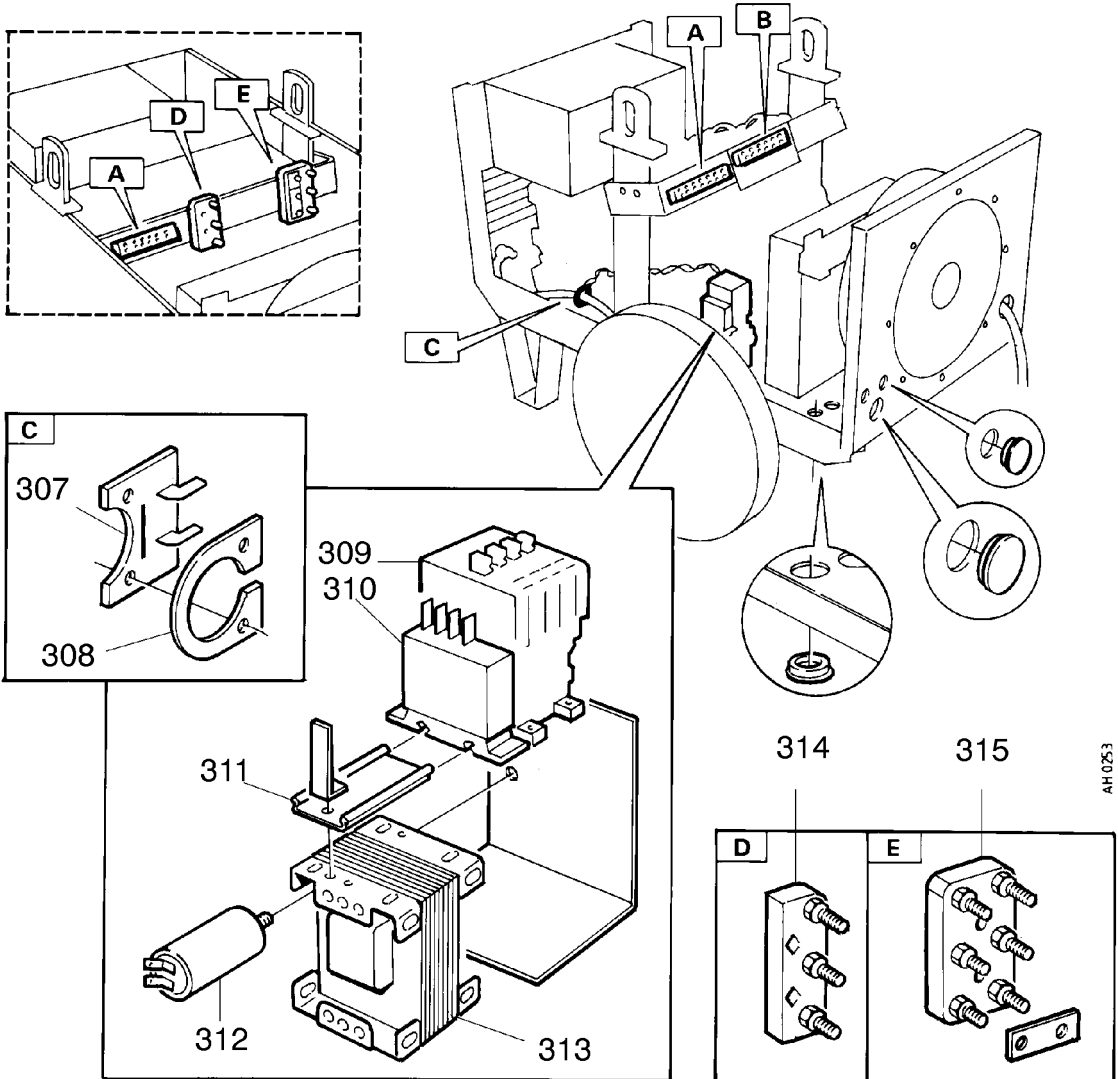
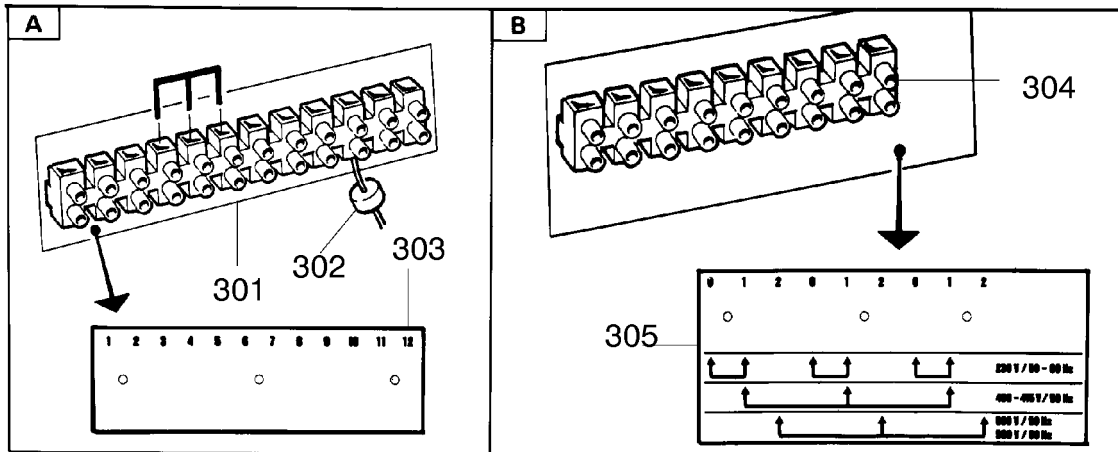


AM 0357



C = component designation in the circuit diagram

Item no.	Qty	Ordering no.	Denomination	Notes	C
301	1	0193 655 012	Terminal	12 pole	K45.6
302	6	0192 716 004	Diode	6A 400W LHF 400	K2.3
	3	0192 716 004	Diode	6A 400W LHF 630, LHF 800	K2.3
303	1	0469 947 001	Sign		
304	1	0162 781 008	Connection block	9 pole	K30
305	1	0456 111 001	Sign		
307	1	0341 035 880	Circuit board	Current relay	K25
308	1	0156 688 001	Magnetic plate		K25
309	1	0193 296 101	Contactactor		K62.2
310	1	0193 764 001	Time relay		K51
311	1	0193 298 101	Bar		
312	1	0191 085 202	Capacitor	2uF, 400V	K27.5
313	1	0365 028 001	Control transformer		K52.2
314	1	0162 772 001	Connection block	3 pole	K30.2
315	1	0040 894 001	Connection block	6 pole	K30



AF0263

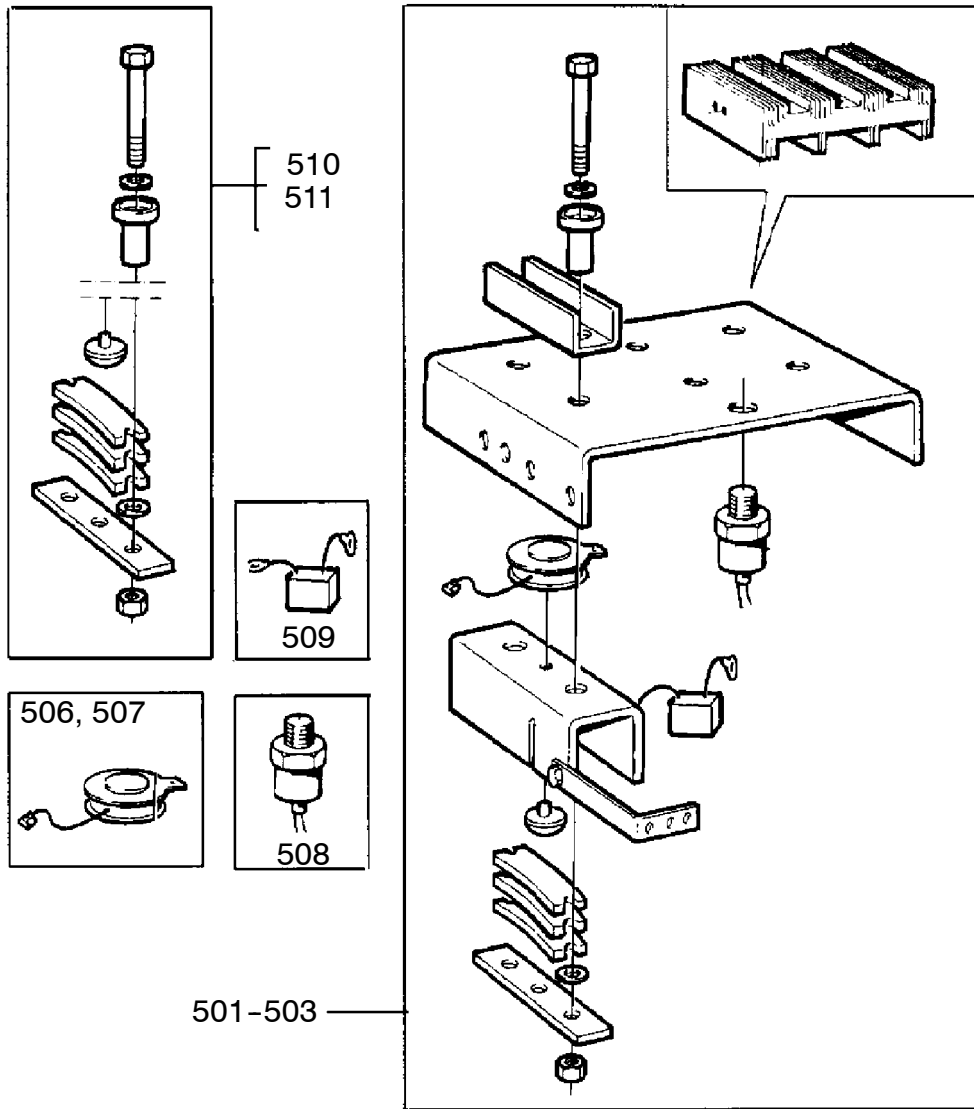
C = component designation in the circuit diagram

Item no.	Qty	Ordering no.	Denomination	Notes	C
401	23	0192 784 102	Cap		
402	1	0192 784 014	Socket	12 pole	K45.4
403	1	0192 784 013	Connector pin plug	12 pole	K45.3
404	23	0192 784 101	Pin		
405	1	0192 784 016	Sleeve plug	15 pole	K45.2
406	1	0192 784 015	Plug	15 pole	K45.1
407	1	0320 498 002	Ammeter		K19
408	1	0320 497 001	Voltmeter		K20
409	1	0469 929 001	Front plate	LHF 400 V/A	
410	1	0469 932 001	Front plate	LHF 630 V/A	
411					
412	1	0469 928 001	Front plate	LHF 400	
413	1	0469 930 001	Front plate	LHF 630	
414	1	0469 933 001	Front plate	LHF 800	
415	2	0365 745 001	Circuit card holder		
416					
417	1	0320 745 002	Circuit braker	LHF 400	K6
418	1	0320 745 003	Switch	LHF 630/800	K6
419	1	0192 884 002	Capacitor	5uF	K27.4
420	1	0319 828 001	Transformer		K52.1
421	1	0487 311 881	Circuit card		K70, K45.1, K45.4
422	2	0468 797 001	Gasket		
423	4	02121 086 49	Screw	M6x12	
424	1	02188 107 84	Knob		
425	1	0318 113 003	Knob (for switch with plastic axle)	LHF 400	
	1	0349 310 939	Knob (for switch with metal axle)	LHF 400	
426	1	0318 113 004	Knob	LHF 630/800	
427	1	0147 866 001	Toggle switch		K79
428	1	0193 219 001	Toggle switch	Offshore	K79
429	1	0194 057 008	Relay		K62.1
430	1	0369 733 009	Indicating lamp	Yellow	K38.2
431	1	0369 733 008	Indicating lamp	White	K38.1
432	1	0366 285 001	Dust cap	12 pole	
433	1	0368 544 003	Burndy socket	12 pole	
434	1	0319 187 001	Indicator		
435	1	0317 942 001	Gearing for rheostat		
436	1	0192 724 007	Potentiometer		K57
437	1	0147 866 001	Toggle switch	LHF 400	K33
438	1	0193 219 001	Toggle switch	LHF 400 Offshore	K33
439	1	0147 866 002	Toggle switch	LHF 630/800	K33
440	1	0193 219 002	Toggle switch	LHF 630/800 Offshore	K33

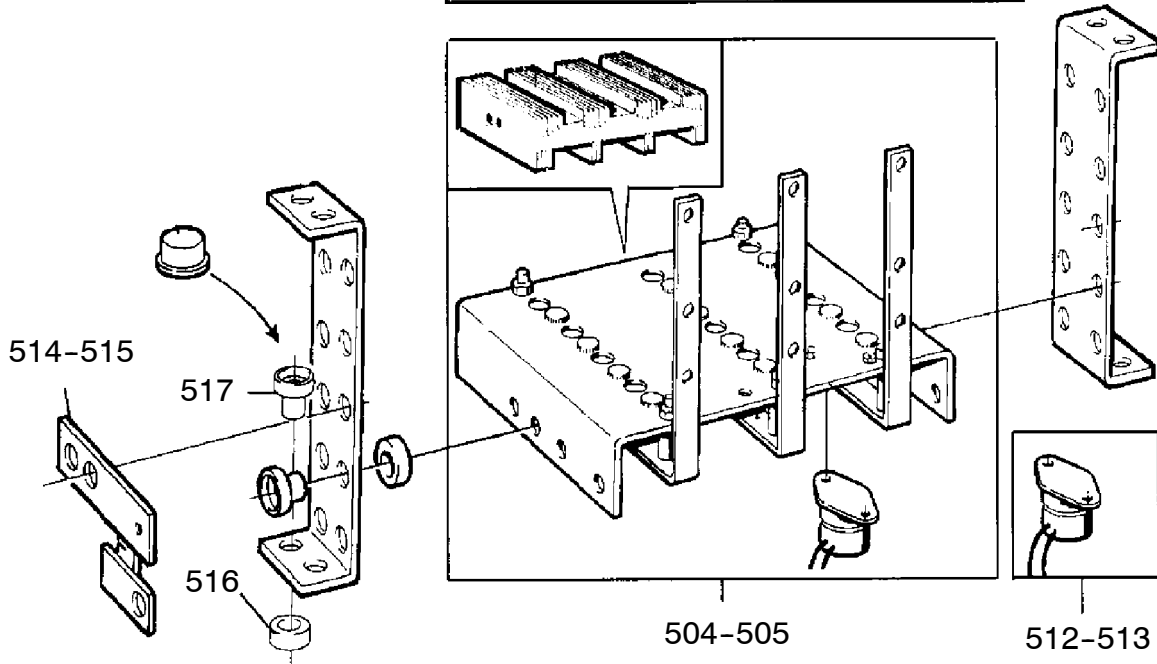
LHF 400, LHF 630, LHF 800

C = component designation in the circuit diagram

Item no.	Qty	Ordering no.	Denomination	Notes	C
			Rectifier bridge		
501	1	0319 690 884	Thyristor bridge	LHF 400 Offshore	K2.1
502	1	0319 690 882	Thyristor bridge	LHF 630	K2.1
503	1	0319 932 880	Thyristor bridge	LHF 800	K2.1
504	1	0319 904 880	Diode bridge	LHF 400 Offshore, LHF 630	K2.2
505	1	0319 923 880	Diode bridge	LHF 800	K2.2
506	3	0320 028 002	Thyristor	LHF 400 Offshore, LHF 630	K2.1
507	3	0320 946 001	Thyristor	LHF 800	K2.1
508	1	0490 600 606	Diode	LHF 400 Offshore, LHF 630	K2.4
	2	0490 600 606	Diode	LHF 800	K2.4
509	3	0041 051 606	Contact protection		K27.1
510	3	0319 690 883	Tensioning device	LHF 400 Offshore, LHF 630	
511	3	0319 932 881	Tensioning device	LHF 800	
512	1	0319 999 001	Thermal Relay	LHF 400 Offshore, LHF 630 Offshore, LHF 800	K31.1
513	1	0368 020 001	Thermal Relay	LHF 630	K31.1
514	1	0319 911 880	Shunt	LHF 630	K18
515	1	0319 911 881	Shunt	LHF 800	K18
516		0163 139 001	Bushing		
517		0162 414 002	Insulating tube		



AH 0255



bh10s005

LHF 400, LHF 630, LHF 800

Rectifier bridge for LHF 250, LHF 400 From serial No. 906.

C = component designation in the circuit diagram

Item no.	Qty	Ordering no.	Denomination	Notes	C
		0458 219 880	Rectifier bridge compl.		
001	1	0458 219 001	Thermal cutout		K31.1
002	1	0458 219 002	Filter		K27.1
003	1	0458 219 003	Diode		K2.4
004	3	0458 219 004	Rectifier bridge		K2.2
005	3	0320 028 008	Thyristor		K2.1
006	1	0320 558 880	Shunt	LHF 400	K18

